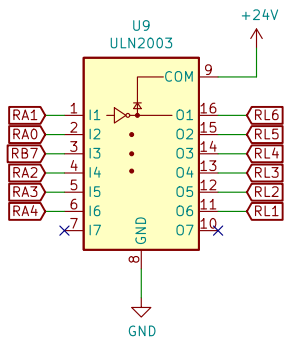


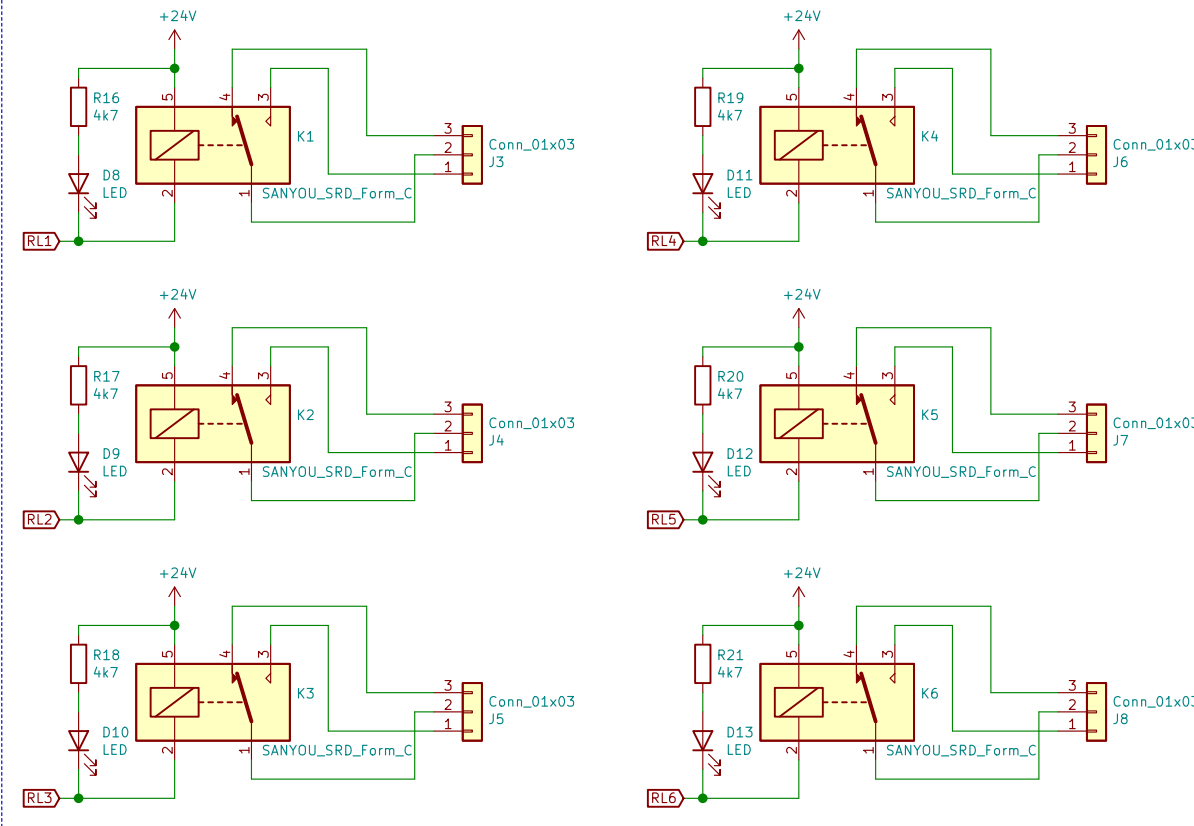
PCB with six inputs and six outputs  
 Design by Wandery Ap Ramos  
**Wantronics**  
 Sheet: /  
 File: CLP\_PIC16F628A.sch  
**Title: CLP PIC Wantronics**

Size: A4	Date: 2021-02-01	Rev: 1.0
KiCad E.D.A. kicad (5.1.6)-1		Id: 1/2

Drive ULN2003



Relays



PCB with eighth inputs and six outputs  
 Design by Wandery Ap Ramos

**Wantronics**

Sheet: /Outputs/  
 File: Outputs.sch

**Title: CLP PIC Wantronics**

Size: A4 Date: 2021-02-01  
 KiCad E.D.A. kicad (5.1.6)-1

**Rev: 1.0**  
 Id: 2/2