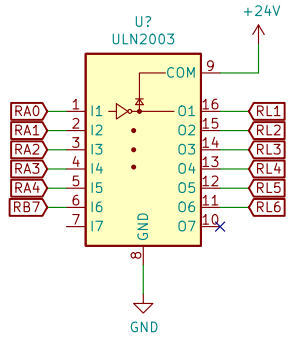
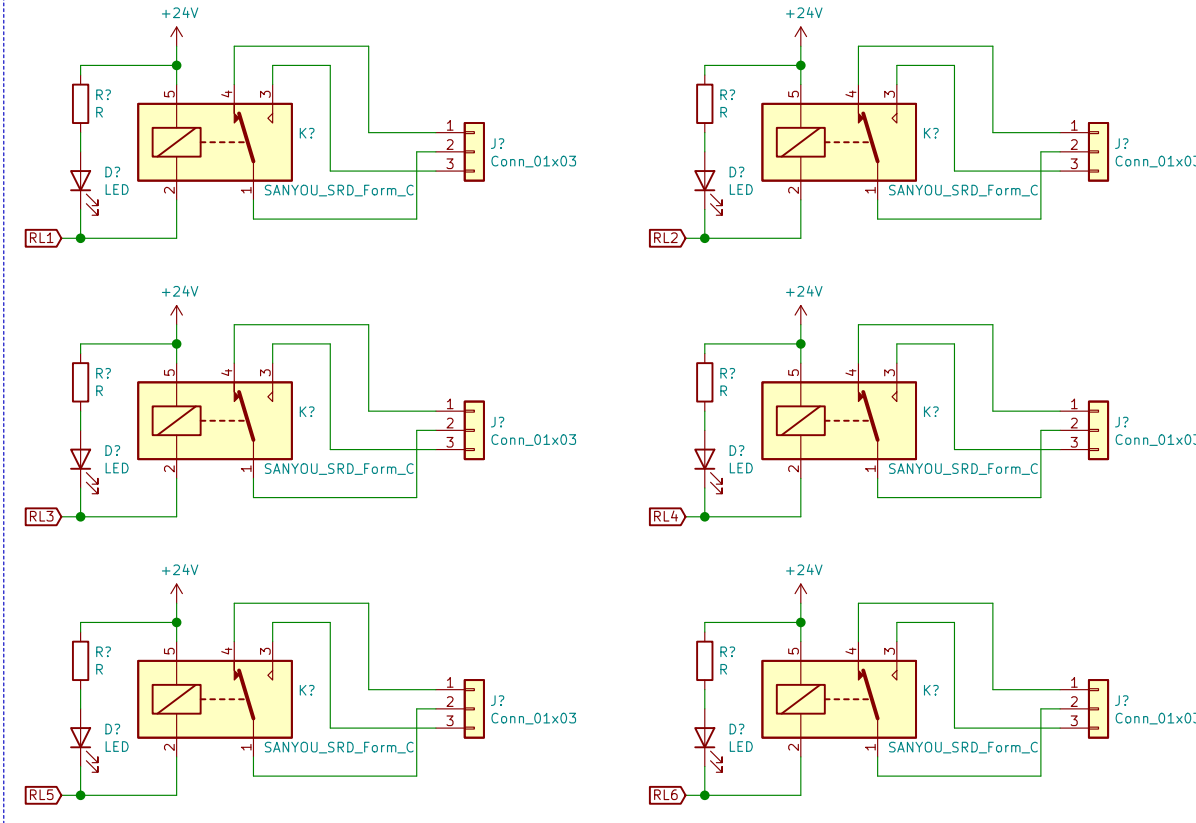


PCB with six inputs and six outputs Design by Wandery Ap Ramos	
Wantronics	
Sheet: /	
File: CLP_PIC16F628A.sch	
Title: CLP PIC Wantronics	
Size: A4	Date: 2021-02-01
KiCad E.D.A. kicad (5.1.6)-1	Rev: 1.0
	Id: 1/2

Drive ULN2003



Relays



PCB with eighth inputs and six outputs
 Design by Wandery Ap Ramos

Wantronics

Sheet: /Outputs/
 File: Outputs.sch

Title: CLP PIC Wantronics

Size: A4 Date: 2021-02-01

KiCad E.D.A. kicad (5.1.6)-1

Rev: 1.0

Id: 2/2