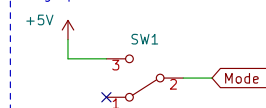
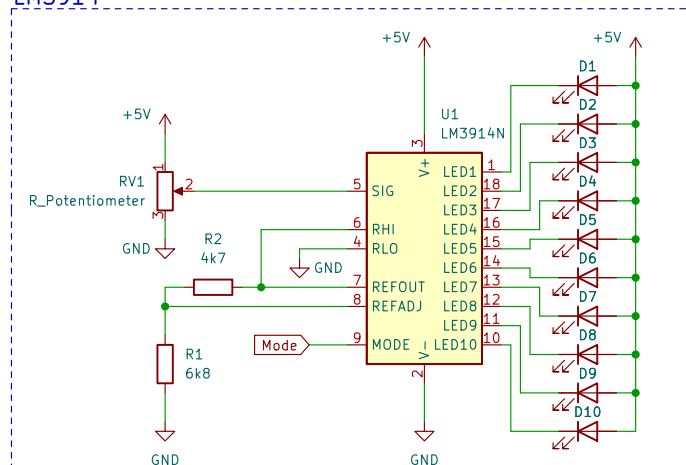


### Mode select

Put on the +5V to use bargraph mode,  
or put on the float to use  
dotgraph mode.



### LM3914



Design by Wandery Ramos

**Wantronics**

Sheet: /

File: LM3914.kicad\_sch

**Title: LM3914**

Size: A4 Date: 2023-01-09

KiCad E.D.A. kicad 6.0.9-8da3e8f707-117-ubuntu20.04.1

**Rev: 1.0**

Id: 1/1