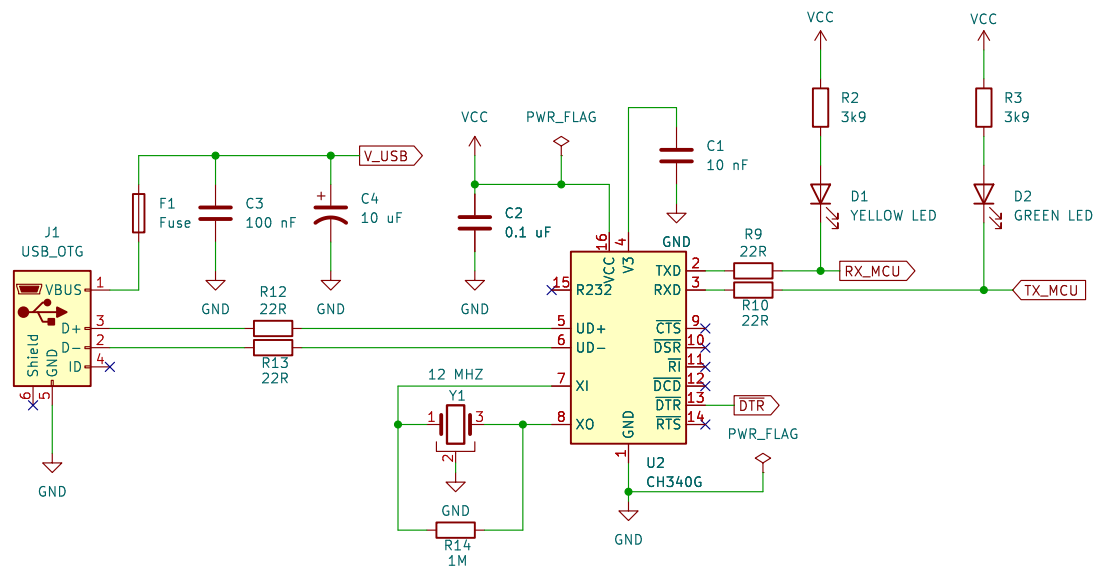
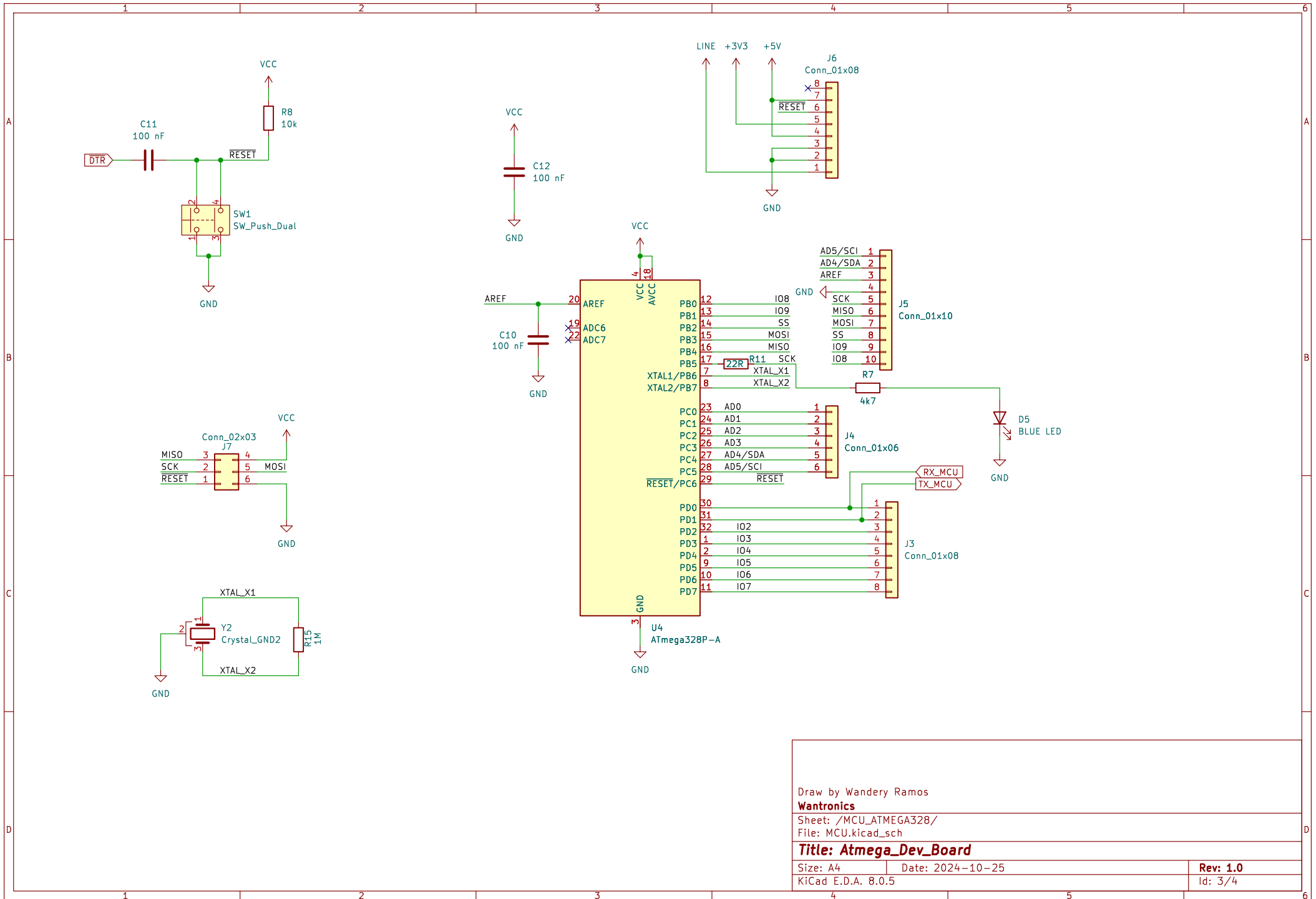


Draw by Wandery Ramos		
Wantronics		
Sheet: /		
File: Arduino_CH340.kicad_sch		
Title: Atmega_Dev_Board		
Size: A4	Date: 2024-10-25	Rev: 1.0
KiCad E.D.A. 8.0.5		Id: 1/4



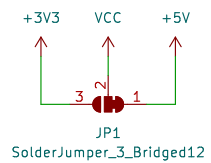
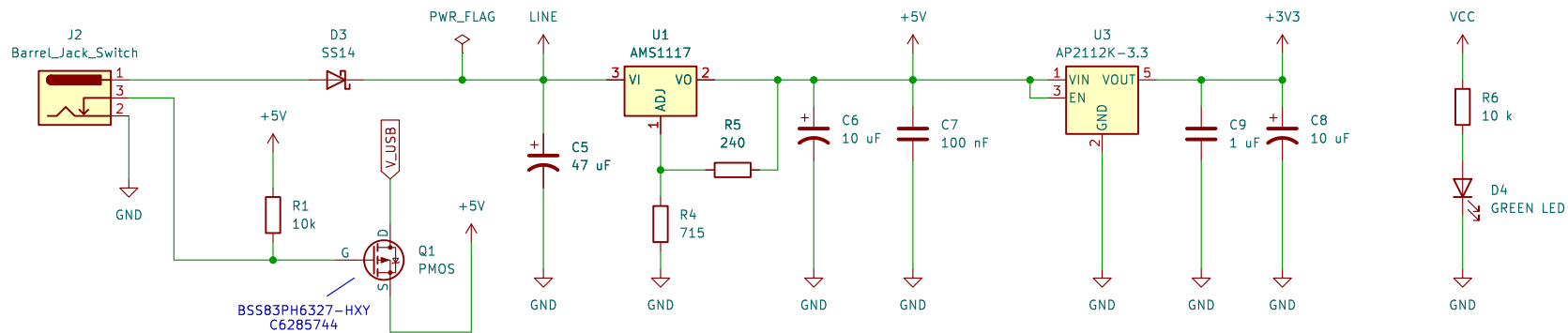
Draw by Wandery Ramos
Wantronics
 Sheet: /USB/
 File: USB.kicad_sch
Title: Atmega_Dev_Board

Size: A4	Date: 2024-10-25	Rev: 1.0
KiCad E.D.A. 8.0.5		Id: 2/4



Draw by Wandery Ramos
Wantronics
 Sheet: /MCU_ATMEGA328/
 File: MCU.kicad_sch
Title: Atmega_Dev_Board

Size: A4	Date: 2024-10-25	Rev: 1.0
KiCad E.D.A. 8.0.5		Id: 3/4



Draw by Wandery Ramos

Wantronics

Sheet: /Power Supply/

File: Power.kicad_sch

Title: Atmega_Dev_Board

Size: A4

Date: 2024-10-25

Rev: 1.0

KiCad E.D.A. 8.0.5

Id: 4/4